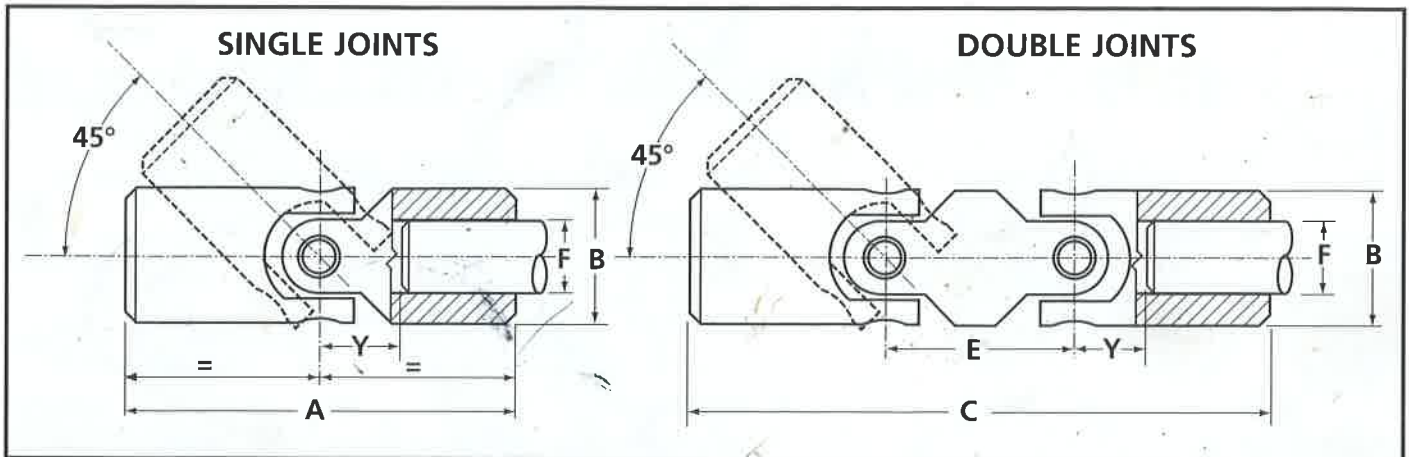


**HIGH PRECISION HOOKE'S JOINTS  
WITH HARDENED BUSHES**



IMS Part Number	SINGLE JOINTS		IMS Part Number	DOUBLE JOINTS			BORES						
	A			B	C		B	E	Plain Bore Bore & Keyway			Sq. Bore	Hex Bore
	O/All Length	Std.		Outside Dia.	O/All Length	Std.	Outside Dia.	Joint Centres	F	G	L	J	K
102A	40	56	16	-	-	-	-	8	9	2	-	-	
103A	45	76	22	-	-	-	-	10	11.4	3	10	10	
104A	50	86	25	104AD	79	115	22	29	12	13.8	4	12	12
105A	56	90	29	105AD	89	123	25	33	14	16.3	5	14	14
106A	65	95	32	106AD	100	130	29	35	16	18.3	5	16	16
107A	72	108	37	107AD	111	147	32	39	18	20.8	6	17	18
108A	82	127	40	108AD	128	162	40	46	20	22.8	6	20	20
109A	95	127	47	109AD	128	173	40	48	22	24.8	6	22	22
110A	108	140	50	110AD	169	220	50	59	25	28.3	8	25	25
111A	122	166	58	111AD	188	245	58	66	30	33.3	8	30	35
111/1A	140	178	63	111/1AD	198	262	63	66	30	33.3	8	30	35
112A	140	178	70	112AD	218	256	70	78	35	38.3	10	30	35
113A	160	210	80	113AD	255	285	80	95	40	43.3	12	30	35
114A	190	254	95	114AD	310	365	95	120	50	53.8	14	30	35

Y. Joint Centre to Shaft End Min =  $B/2 + 2$

All dimensions are in millimetres

